



TM 62 2.1 System



TM 62
YAWAL System



System description

It is a three-chamber system of aluminium profiles designed for constructing modern window and door structures of high thermal insulation parameters. The system meets strict demands that are required in case of public buildings with high traffic intensity (schools, offices, hospitals, banks) as well as residential buildings, e.g. apartments. The system enables to make a window with a hidden casement invisible from the outside. The system allows for constructing structures of big dimensions on account of application of reinforced profiles both from outside and inside. A great variety of special profiles makes it possible to construct windows of appropriate dimensions as well as to freely arrange various types of windows.

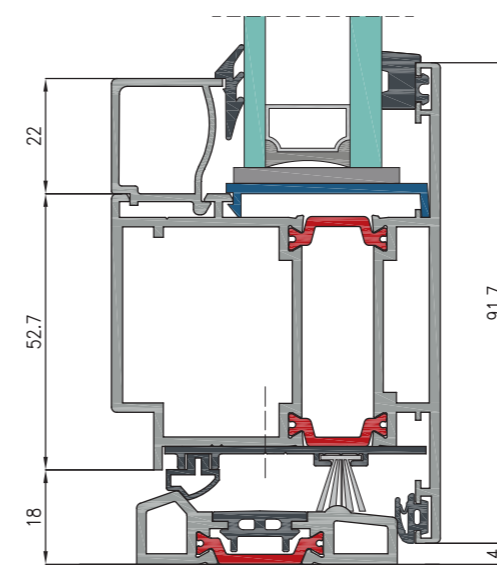
TM 62
YAWAL System



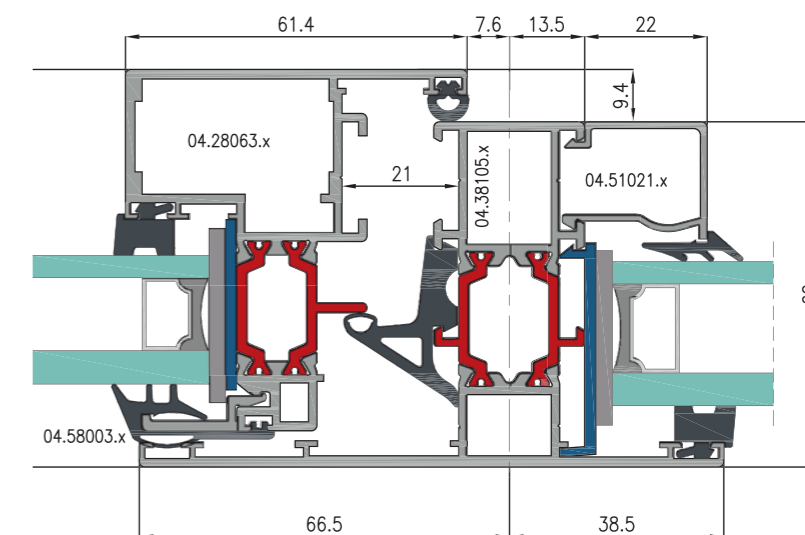
Merits of the system

- possibility of applying invisible hinges and fittings hidden in the rebate,
- possibility of making window, door and cabinet structures of raised protection against burglary,
- sections in softline version enable for making windows of rounded edges,
- angular profiles allow for constructing structure combinations under various angles,
- possibility of profile bending,
- various types of filling may be used,
- possibility of combining with other Yawal systems.

The system solutions and applications



A threshold door with a brush.



A hidden leaf.

Technical characteristics

Technical parametres	TM 62 2.1
air permeability	class 4 – PN-EN 12207
water tightness	class E1050 – PN-EN 12208
acoustic insulation	Rw = 30-44 dB – PN-EN ISO 140-3
heat penetration rate	U _f = 2.02 - 2.51 W/m ² K – PN-EN ISO 10077-2:2005
burglar-resistance	class 2 and 3 – PN-ENV 1627:2006
Technical approval	ITB AT-15-4312/2006

TM 62 2.1				
Stylistic variants		STANDARD	HIDDEN LEAF/SASH	SWING LEAF/SASH
Minimum inward window structure width visible externally	Window frame profile	52,1 mm	80 mm	64,6 mm
	Sash profile	31,9 mm	invisible	102,1 mm
Minimum outward door structure width visible externally	Door frame profile	41,7 mm	—	—
	Leaf profile	91,7 mm	—	—
Window structural depth	Window frame profile	62 mm	62 mm	62 mm
	Sash profile	71,4 mm	64,9 mm	71,4 mm
Glazing bead height		22 mm	17 mm	22 mm
Pane thickness		4-48 mm	26-28 mm	4-48 mm



Yawal S.A.

ul. Lubliniecka 36, 42-284 Herby,

tel.: +48 34 352 88 00,

fax: +48 34 357 41 42,

e-mail: yawal@yawal.com

www.yawal.com